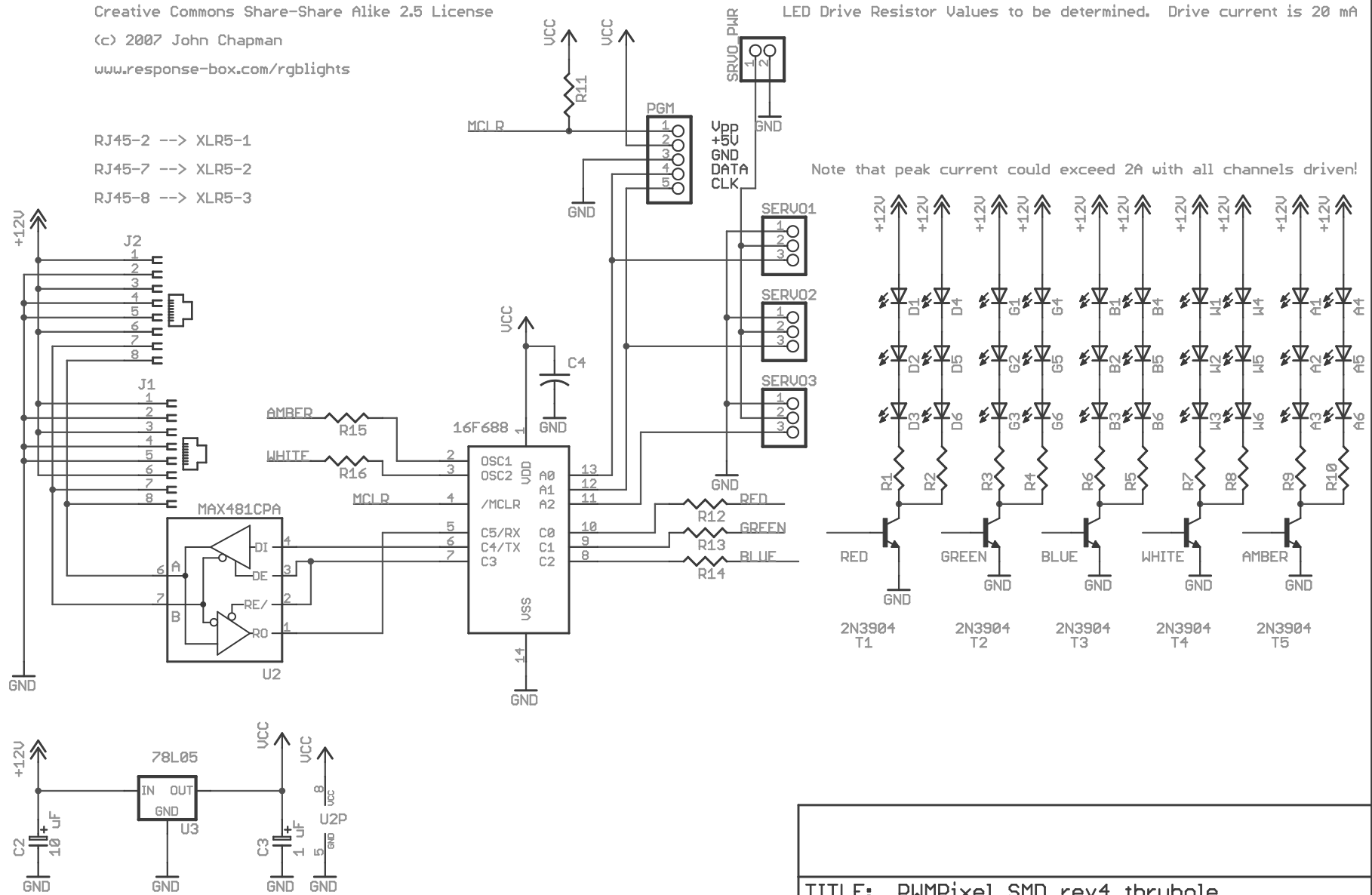


Creative Commons Share-Share Alike 2.5 License
 (c) 2007 John Chapman
 www.response-box.com/rgblights

RJ45-2 --> XLR5-1
 RJ45-7 --> XLR5-2
 RJ45-8 --> XLR5-3

LED Drive Resistor Values to be determined. Drive current is 20 mA

Note that peak current could exceed 2A with all channels driven!



TITLE: PWMPixel_SMD_rev4_thruhole	
Document Number:	REV:
Date: 2/12/2008 21:33:02	Sheet: 1/1